

Features

- Input Voltage 90~132/180~264V AC
- AC input range selectable by switch
- Cooling by free air convection
- Efficiency up to 90%
- Protection: OLP, OVP, OTP SCP
- Three Years Warranty



Ideal Power's 56YEL200-xy 200W Enclosed AC/DC Power Supply (PSU) Series complies with the relevant Efficiency Regulations. These are primarily used in ITE, Audio & Video Industries and customised solutions are available upon request.

Models

Model Number	DC Voltage (V)	Rated Current (A)	Rated Power (W)	Efficiency (%)	Voltage Adj. Range (V)	Ripple & Noise (mVp-p)
56YEL200-12	12	17	204	87.5	10.2~13.8	150
56YEL200-15	15	14	210	88	13.5~18	150
56YEL200-24	24	8.8	211.4	89.5	21.6~28.8	150
56YEL200-36	36	5.9	212.2	89.5	32.4~39.6	200
56YEL200-48	48	4.16	211.2	90	43.2~52.8	200

Input Specifications

Input Voltage	90-132VAC/180~264V AC - 240~370VDC (switch on 230VAC)
Frequency Range	47-63Hz
AC Current	4A/115V AC – 2.2A/230V AC
Inrush Current	Cold Start 60A at 230V AC
Leakage Current	< 2mA/240V AC
Connection	I/P: 3 poles terminal Block

Output Specifications

Voltage Tolerance	±3.0%	5v
	±1.5%	12v
	±1.0%	Others
Line Regulation	±0.5%	
Load Regulation	±2.0%	5v
	±1.0%	12v
	±0.5%	Others
Set up	500ms, 30ms/230VAC at full load	
Rise Time	500ms, 30ms/115VAC at full load	
Hold up Time	40ms/230VAC at full load - 35ms/115VAC at full load	
Connection	O/P: 4 poles terminal Block	

Protection

Over Load	110%-140% Rated Output Power	
	5-36V Hiccup mode, recovers automatically after fault condition is removed	
	48V Shut down and latch off o/p voltage, re-power on to recover.	
Over Voltage	5.75~ 6.75V	5v
	13.8 ~ 16.2V	12v
	18~21V	15v
	28.8~33.6V	24v
	41.4~46.8V	36v
	55.2~64.8V	48v
	5-36V Hiccup mode, recovers automatically after fault condition is removed.	
48V Shut down and latch off o/p voltage, re-power on to recover.		
Over Temperature	5-36V Hiccup mode, recovers automatically after fault condition is removed	
	48V Shut down and latch off o/p voltage, re-power on to recover.	

Environmental Characteristics

Working Temp	-30~+70°C (Refer to "Derating Curve")
Working Humidity	20~90% RH non-condensing
Storage Temp., Humidity	-40~+85°C, 10~95% RH non-condensing
Temp. Coefficient	±0.03%/°C (0~50°C)
Vibration	10 ~ 500Hz, 5G 10min. /1cycle, period for 60min. each along X, Y,Z axes
Over Voltage Category	III; According to BS EN/EN61558, BS EN/EN50178, BS EN/EN60664 BS EN/EN62477-1; altitude up to 2000 meters
MTBF	2300k hrs min. Telcordia SR-332 (Bellcore)

Safety & EMC

Safety Standards	
Withstand Voltage	I/P-O/P:4KVAC I/P-FG:2KVAC O/P-FG:0.5KVAC
Isolation Resistance	I/P-O/P, I/P-FG, O/P-FG:100M Ohms/ 500VDC/25 °C/70% RH
EMC Emission	Compliance to BS EN/EN55032 (CISPR32) Class B, BS EN/EN61000-3-2,-3,
EMC Immunity	Compliance to BS EN/EN61000-4-2,3,4,5,6,8,11, BS EN/EN55035

Notes:

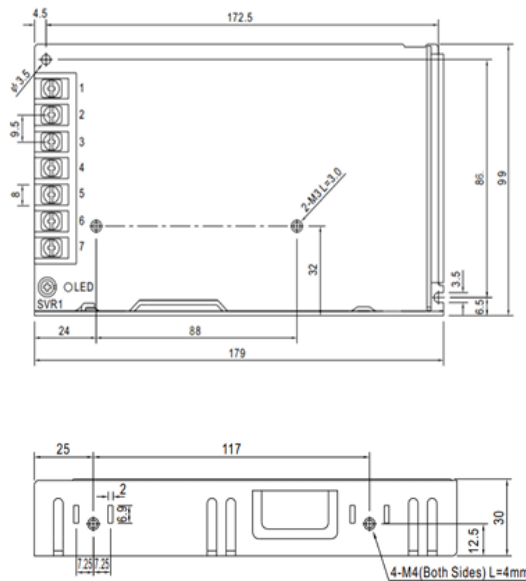
1. All parameters NOT specially mentioned are measured at 230VAC input, rated load and 25°C of ambient temperature.
2. Ripple & noise are measured from peak to peak with band width limit of 20MHz (0.1uf and 47uf /50V parallel capacitor under DC output full load, AC nominal input 25 °C ambient temperature).
3. Derating may be needed under low input voltages. Please check the derating curve for more details.
4. The power supply is considered a component which will be installed into a final equipment. The final equipment must be re-confirmed that it still meets EMC directives. For guidance on how to perform these EMC tests, please refer to "EMI testing of component power supplies."
5. The ambient temperature derating of 5°C/1000m is needed for operating altitude greater than 2000m(6500ft).

Dimensions & Weight

Size	179 x 99 x 30mm / 7.04 x 3.89 x 1.18in
Weight	660g

Packaging

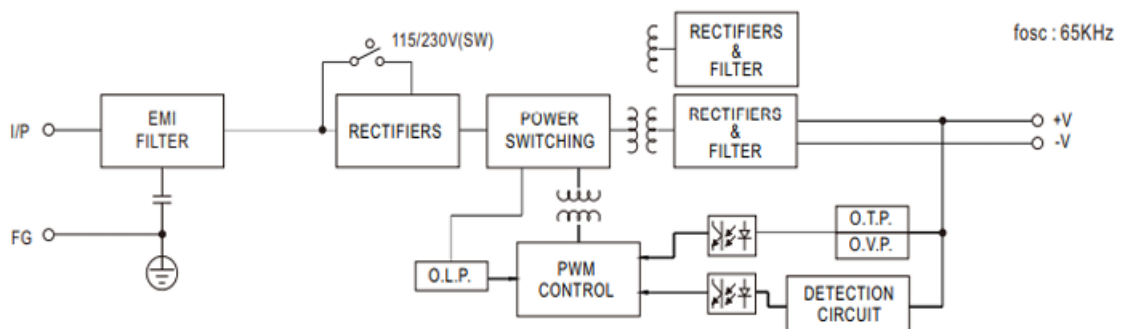
Carton Size	38x19.5x26cm / 14.96x7.68x10.24in
Master Carton Quantities	15pcs/Carton

Dimensions and Recommended Layout

Input

No.	Description
1	AC/L
2	AC/N
3	FG \oplus

Output :

No.	Description
4-6	DC OUTPUT -V
7-9	DC OUTPUT +V

Block Diagram


Derating Curve

